

YOUR COMPLETE SOURCE FOR ALL METAL ROOF PACKAGES AND CUSTOM FABRICATION



- Onsite Mobile Roll Forming Team
- No Small Order Fee
- Easy Online Quote Link
- Quick Turnaround on Custom Fabrication Projects
- Fully Stocked Warehouse of Components and Accessories
- Member of Florida Roofing and Sheet Metal Contractors Association

INNOVATIVE
Sheet Metals

Your Sheet Metal Fabrication Experts!

Follow us on:



4705 Lena Road, Bradenton, FL 34211 | (941) 677-7223
1681 S. Wolf Lake Road, Muskegon, MI 49442 | (231) 788-5751
www.innovativesheetmetals.com



INNOVATIVE *Sheet Metals*

Metal Roofs - Architectural Metals - Gutters - Edge Flashings

Advancing Architectural Sheet Metal Design & Fabrication



Florida Branch

4705 Lena Road
Bradenton, FL 34211
(941) 677-7223

Michigan Branch

1681 S. Wolf Lake Road
Muskegon, MI 49442
(231) 788-5751

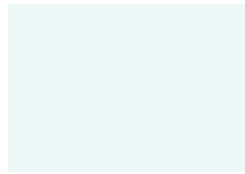
Metal Roofing, Wall, and Perimeter Edge Finishes



STONE WHITE



BONE WHITE



REGAL WHITE



SANDSTONE



ALMOND



SIERRA TAN



BUCKSKIN



MEDIUM BRONZE



DARK BRONZE



ANTIQUÉ BRONZE



MIDNIGHT BRONZE



AGED BRONZE



MANSARD BROWN



BLACK



CITYSCAPE



SLATE GRAY



GRANITE *L*



MUSKET GRAY



CHARCOAL



IRON ORE



HEMLOCK GREEN



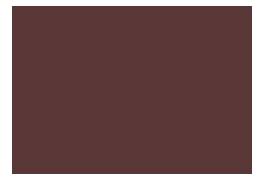
PATINA GREEN



FOREST GREEN



HARTFORD GREEN



BURGUNDY



COLONIAL RED



TERRA COTTA



CARDINAL RED



TEAL



MILITARY BLUE



PACIFIC BLUE



INTERSTATE BLUE



AWARD BLUE



SILVER *P*



ZINC *P*



WEATHERED ZINC *P*



CHAMPAGNE *P*



COPPER PENNY *P*



AGED COPPER *P*



DREXLUME™ *M*

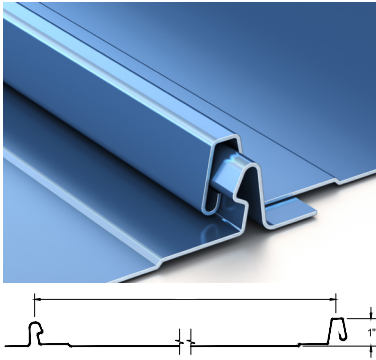
P = PREMIUM

M = MILL FINISH

L = LOW GLOSS COLOR

Panel Profile and Specifications

ISM 100NS



IDEAL APPLICATION RESIDENTIAL

Our ISM 100NS profile offers unlimited design potential with its sleek, crisp appearance and attractive shadow lines. Eliminating the need for metal roof clips, the concealed 1" self-locking Snap Lock system creates a powerfully protective seal. Versatile and refined, this easy-to-install metal roof delivers superior beauty, durability and strength while showcasing architectural details.

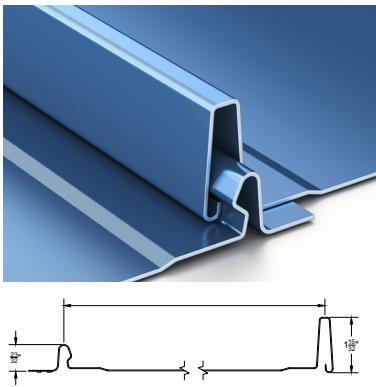
PANEL DETAILS

AVAILABLE WIDTHS
12" - 16"
OPTIMAL PANEL WIDTHS 12", 16"

SUBSTRATES AVAILABLE

- Painted Galvalume® - 24ga and 26ga
- Galvaume™ - 24ga and 26ga
- Aluminum - .032"

ISM 150NS



IDEAL APPLICATION RESIDENTIAL

Our ISM 150NS profile offers unlimited design potential with its sleek, crisp appearance and attractive shadow lines. Eliminating the need for metal roof clips, system creates a powerfully protective seal. Versatile and refined, this easy-to-install metal roof delivers superior beauty, durability and strength while showcasing architectural details.

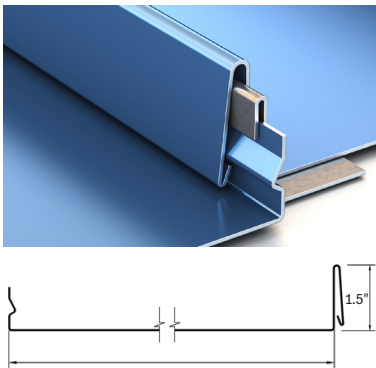
PANEL DETAILS

AVAILABLE WIDTHS
12" - 15"
OPTIMAL PANEL WIDTHS 15"

SUBSTRATES AVAILABLE

- Painted Galvalume® - 24ga and 26ga
- Galvaume™ - 24ga and 26ga
- Aluminum - .032"

ISM 150SS



IDEAL APPLICATION COMMERCIAL & RESIDENTIAL

Installation ease with impeccable results makes our ISM 150SS roof system a standout choice. The 1 1/2" Snap Lock profile and ISM 150SS Clip create a continuous interlocking system that installs quickly, reducing labor costs. The concealed fastener and clip application also allow thermal expansion and contraction movement to help keep the beautiful finish straight and true.

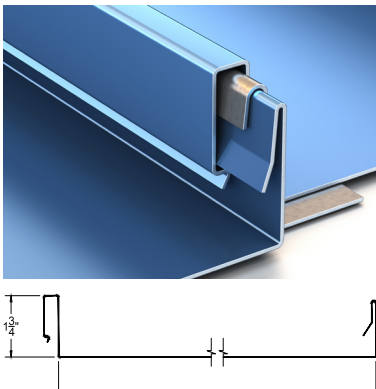
PANEL DETAILS

AVAILABLE WIDTHS
12" - 15.5"
OPTIMAL PANEL WIDTHS 15.5"

SUBSTRATES AVAILABLE

- Painted Galvalume® - 24ga and 26ga
- Galvaume™ - 24ga and 26ga
- Aluminum - .032"

ISM 175SS



IDEAL APPLICATION RESIDENTIAL, INSTITUTIONAL & STRUCTURAL

The ISM 175S is distinctive for its broad width seam, impressive structural capabilities and easy Snap Lock installation. Featuring a 1 3/4" seam height, this continuous interlocking engineered roof system has a concealed fastener and clip application that allows thermal movement and requires no mechanical seaming to ensure weathertight integrity. The installation is simple and quick, yet it withstands extremely high design pressures and is approved for use on Weather Tightness Warranty projects.

PANEL DETAILS

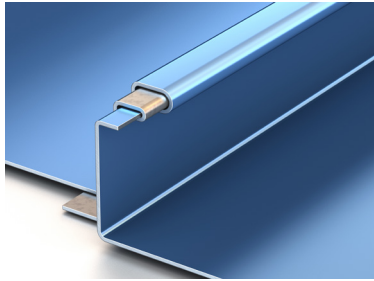
AVAILABLE WIDTHS
12" - 18"
OPTIMAL PANEL WIDTHS 14", 18"

SUBSTRATES AVAILABLE

- Painted Galvalume® - 24ga and 26ga
- Galvaume™ - 24ga and 26ga
- Aluminum - .032"

Panel Profile and Specifications

ISM 150ML



IDEAL APPLICATION COMMERCIAL & RESIDENTIAL

Our ISM 150ML roof system will lend striking dimension to any architectural design. This versatile 1-1/2" mechanically seamed panel can be curved to a wide range of radiuses and applications - from barrel roofs to conical shapes and more. Concealed fasteners and a floating clip system reduce the effect of thermal stresses on the panels, helping to maintain a beautifully smooth, uniform appearance despite fluctuations in temperature.

PANEL DETAILS

AVAILABLE WIDTHS

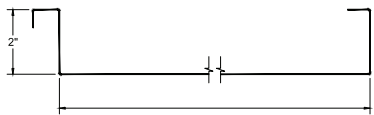
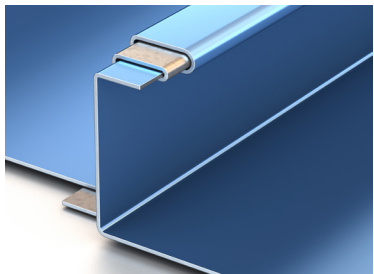
12" - 20"

OPTIMAL PANEL WIDTHS 12", 16", 20"

SUBSTRATES AVAILABLE

- Painted Galvalume® - 24ga and 26ga
- Galvaume™ - 24ga and 26ga
- Aluminum - .032"

ISM 200ML



IDEAL APPLICATION COMMERCIAL, INSTITUTIONAL & STRUCTURAL

The versatility of the ISM 200ML roof system makes it an ideal choice for low to steep slope applications. Performance-engineered to handle heavy-duty commercial and industrial projects, this 2" mechanically seamed structural metal roof system will meet or exceed most windload and government requirements from coast to coast. Concealed fasteners and floating clip systems reduce panel stress from changes in temperature and help maintain a smooth, uniform appearance. This product can also be curved for large barrel roofs or small canopies.

PANEL DETAILS

AVAILABLE WIDTHS

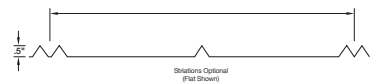
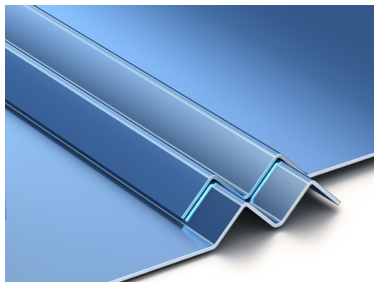
12" - 20"

OPTIMAL PANEL WIDTHS 14", 18"

SUBSTRATES AVAILABLE

- Painted Galvalume® - 24ga and 26ga
- Galvaume™ - 24ga and 26ga
- Aluminum - .032"

ISM 5V



IDEAL APPLICATION ARCHITECTURAL, COMMERCIAL & RESIDENTIAL

Our ISM 5V profile offers a genuine "Key West" look and is highly valued for its combination of style and functionality. The 24-inch panel span, 3/8-inch rib height, and exposed fastener design all contribute to a sturdy and attractive finish that can withstand severe weather conditions for years to come.

PANEL DETAILS

AVAILABLE WIDTHS

20.5", 24"

OPTIMAL PANEL WIDTHS 20.5", 24"

SUBSTRATES AVAILABLE

- Painted Galvalume® - 24ga and 26ga
- Galvaume™ - 24ga and 26ga
- Aluminum - .032"

Testing

- UL 580 Wind Uplift (Class 90)
- TAS 125 Wind Uplift
- UL 1897 Extended Phase Wind Uplift
- UL 2218 Class 4 Hail Impact
- UL 790 Class A Fire Rating
- UL Environmental - SRI Third Party Verified
- UL 263 Frie Certification Testing in Accordance with
- TAS 125 Wind Uplift
- ASTM E1646 Water Infiltration
- TAS 100 Wind Driven Rain
- ASTM E1680 Air Infiltration
- ASTM E1886 Missile Impact
- Miami-Dade County Approved
- Florida Building Code Approved
- Texas Department of Insurance Approval



WARRANTY

35 YEAR WARRANTY - GALVALUME AND ALUMINUM

SUBSTRATES 35 year non Pro-rated PVDF Paint Warranty

High-performance painted metal roofing product, carefully tensioned leveled for superior flatness.

25 YEAR WARRANTY - GALVALUME SUBSTRATE

Mill finished Galvalume with a two-sided, clear acrylic finish.

FINISHES

Available in a wide variety of coatings and colors. See the ISM color charts for standard colors and paint specifications.

Coping and Perimeter Roofing Systems

Selecting Your Perfect Perimeter Edge System

ES-1 Compliant and Certified

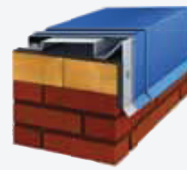
From the highest wind resistance to lighter duty, our perimeter systems have you covered.

Innovative Sheet Metals perimeter edge-to-edge and ES-1 compliant systems are built weather-tough with premium quality, heavy-gauge materials and fully supporting engineered cleats that will meet the strictest of standards. The engineered cleats are manufactured in continuous and segmented lengths and are pre-punched, taking the guesswork out of cleat spacing. This unique design prevents sag and supports the coping for a markedly superior installation that's also quick and easy. Spring-Tite copings are precision-engineered to provide maximum wind resistance and eliminate roof edge blow off.



Innovative Sheet Metals Edge Systems are also available with continuous engineered cleats and a variety of gauges and design options.

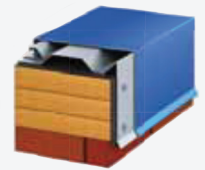
- Coping widths of 4" to 32"
- Face dimensions of 4" to 12"
- Radius trim available
- Extruded Cleat
- Welded aluminum corners



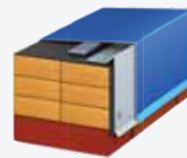
Spring-Tite Coping
W/ Continuous Cleat



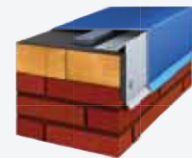
Snap Coping-Max



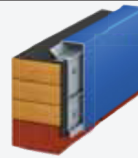
Snap Coping-Max-C



Econo Coping LT



Econo Coping



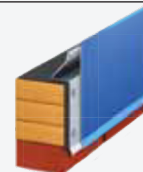
Fascia EC



Fascia Cover LT



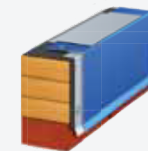
Snap Gravel Stop HD



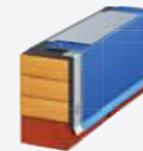
Snap Gravel Stop LT



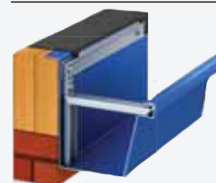
Gravel Stop



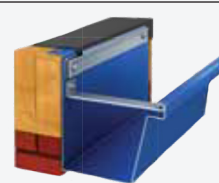
Drip Edge LT



Drip Edge



Gutter HD



Gutter LT